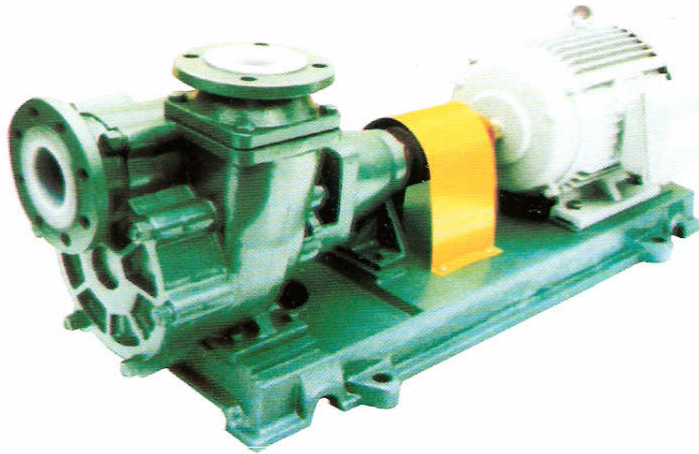




# WARNER TEFLON LINED SELF PRIMING PUMP

## SP SERIES



### Application

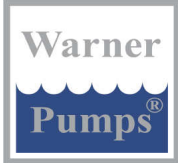
- ▶ Chemical manufacturing
- ▶ Pharmaceutical processing
- ▶ Metal Plating / working
- ▶ Electronics manufacturing
- ▶ Wastewater treatment
- ▶ Underground storage tanks
- ▶ Tanks with an opening on top
- ▶ Others

### Design Features

- ▶ Short / Long - coupled design
- ▶ Teflon Bellow Outbound Seal
- ▶ Self Priming
- ▶ Corrosive resistant
- ▶ Liquid Temperature -20°C ~ 110°C

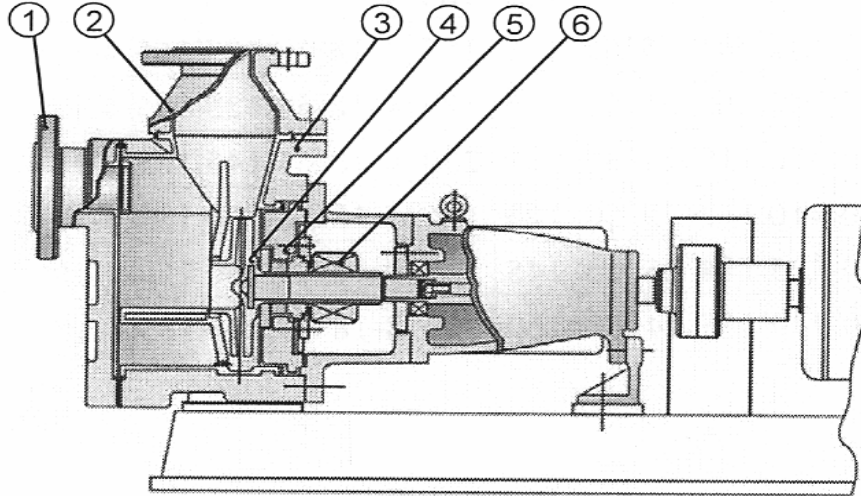
### Specification

Model	Flow Rate (m <sup>3</sup> hr)	Head (m)	Inlet Diameter (mm)	Outlet Diameter (mm)	Power (kW)	Speed (r/min)	NPSH (m)	Efficiency (%)	Suction Lift (m)
SP25-20L	3.6	18	Ø25	Ø40	2.2	2900	2.0	20	1
SP40-20	8	20	Ø40	Ø40	3	2900	2.0	42	3
SP40-30L	8	30	Ø40	Ø40	4	2900	2.0	48	3
SP50-20	12	20	Ø50	Ø50	3	2900	2.5	42	3
SP50-30L	12	30	Ø50	Ø50	4	2900	2.5	52	3
SP50-45L	12	45	Ø50	Ø32	7.5	2900	2.5	35	3
SP65-30L	25	30	Ø65	Ø50	7.5	2900	3.0	55	3.5
SP65-45L	25	45	Ø65	Ø40	11	2900	3.5	42	3
SP80-30L	50	30	Ø80	Ø65	11	2900	3.5	58	4
SP80-45L	50	45	Ø80	Ø65	15	2900	4.0	53	4



# WARNER TEFLON LINED SELF PRIMING PUMP

## SP SERIES

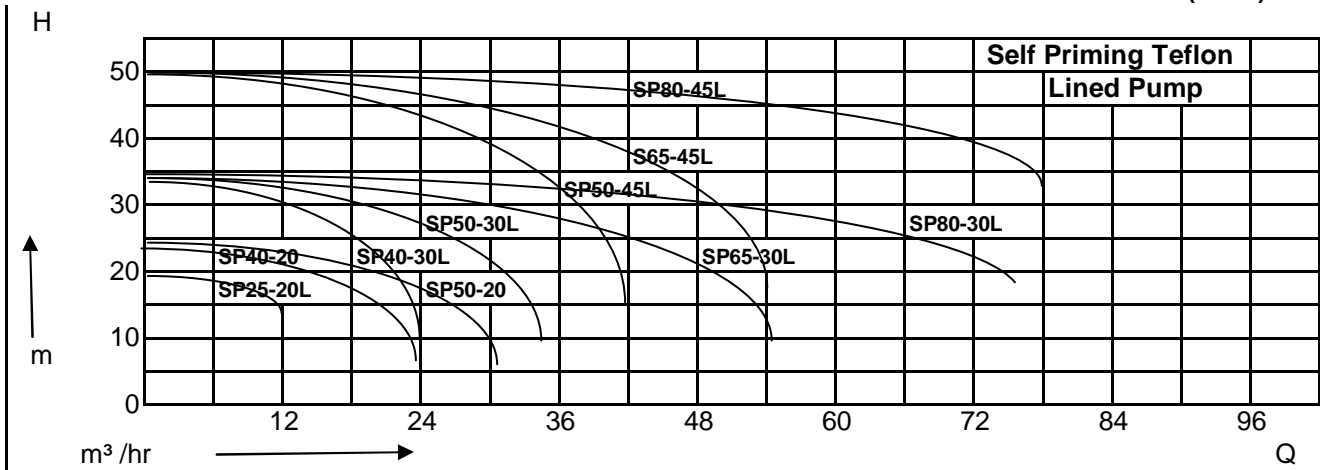


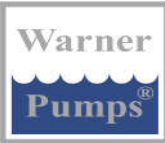
### Structure Diagram

No	Structure	Material
1	Front Cover	HT 200/FEP
2	Flange	HT 200/FEP
3	Pump Casing	HT 200/FEP
4	Impeller	Teflon
5	Pump Cover	Teflon / HT 200
6	Mechanical Seal	Silicon Carbide

### Pump Curve

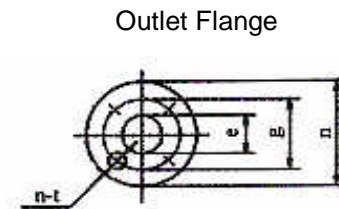
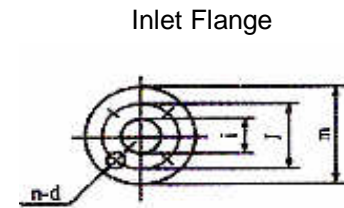
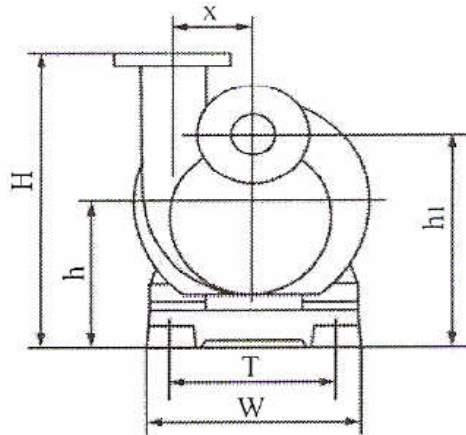
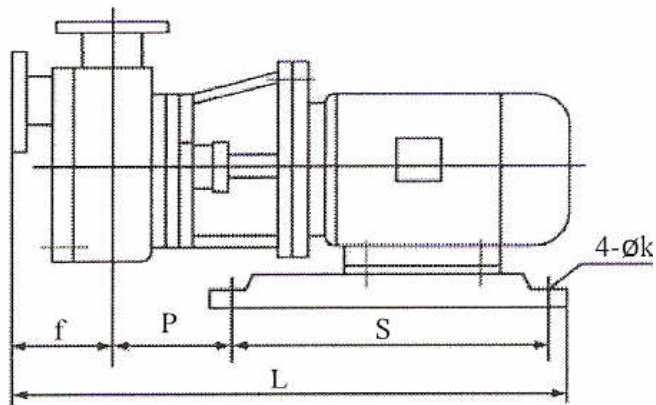
Performance Curve Base On Clean Water ( 20°C )





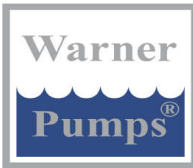
# WARNER TEFLON LINED SELF PRIMING PUMP

## SP SERIES - Short Coupled Series



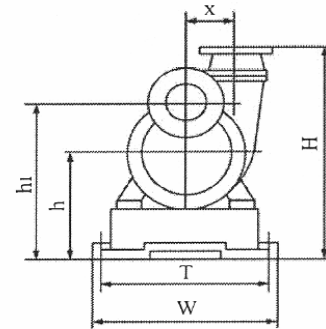
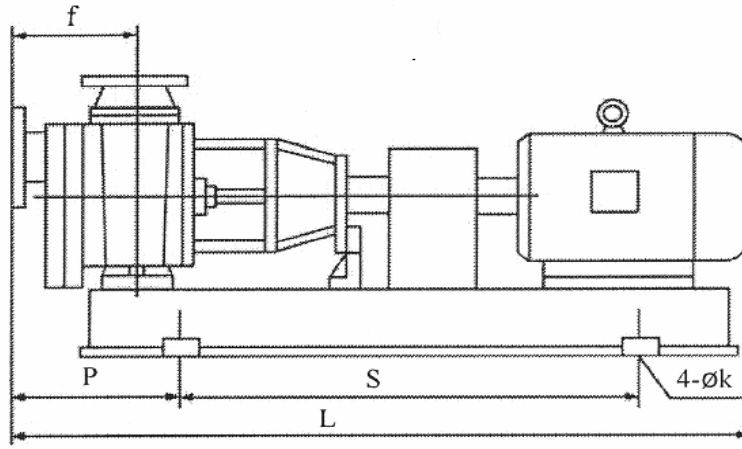
Model	Dimension											Inlet flange				Outlet Flange			
	L	S	P	f	W	T	H	h	h1	x	k	i	j	m	n-d	e	g	n	n-t
SP40-20	590	310	160	110	220	170	305	140	240	65	12	40	100	130	4-13	40	100	130	4-13
SP50-20	590	310	160	110	220	170	305	140	240	65	12	40	100	130	4-13	40	100	130	4-13

All dimension are in mm

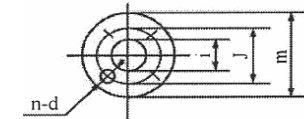


# WARNER TEFLON LINED SELF PRIMING PUMP

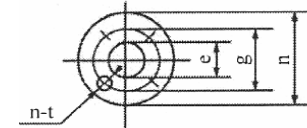
## *SP SERIES - Long Coupled Series*



Inlet Flange



Outlet Flange



Model	Dimension											Inlet-Flange				Outlet Flange			
	L	S	P	f	W	T	H	h	h1	x	k	i	j	m	n-d	e	g	n	n-t
SP25-20L	750	440	232	110	280	240	306	162	240	60	16	25	85	120	4-13	40	85	120	4-13
SP40-30L	1150	590	290	205	390	330	508	232	342	90	25	40	125	165	4-18	50	125	165	4-18
SP50-30L	1150	590	290	205	390	330	508	232	342	90	25	50	125	165	4-18	50	125	165	4-18
SP65-30L	1230	650	355	250	450	380	520	232	342	98	25	65	145	185	4-18	50	125	165	4-18
SP80-30L	1240	730	330	210	500	450	520	260	370	110	24	80	160	200	8-18	65	145	185	4-18
SP50-45L	1190	650	320	200	450	380	610	260	410	112	25	50	125	165	4-18	32	100	135	4-18
SP65-45L	1400	720	321	223	485	435	642	260	425	114	25	65	145	185	4-18	40	100	150	4-18
SP80-45L	1370	740	370	260	500	450	590	260	440	165	24	80	160	200	8-18	65	145	185	4-18

All dimension are in mm