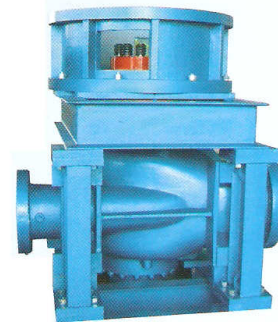


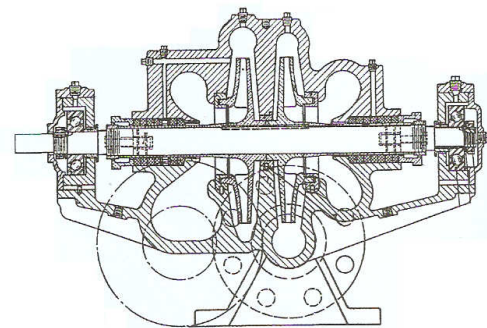
## SPECIAL EXECUTIONS

### TECHNICAL AND SERVICE ADVANTAGES

1. **TWO ROTATION OPTION**  
Clockwise when viewed from the drive end, i.e. suction is on right-hand side. Anti clockwise rotation is possible subject to prior arrangement.
2. **GLAND-PACKING OR MECHANICAL SEAL OPTION**  
The mechanical seal system incorporates two seals located in the pump suction, which are continuously flushed and cooled by the liquid entering the pump. Soft packed pumps can be supplied if required.
3. **INTERCHANGEABILITY OF COMPONENT PARTS**  
Common driving modules and maximum interchangeability of parts
4. **WIDE CHOICE OF MATERIALS OF CONSTRUCTION**  
Available in different combinations of cast iron, bronze or stainless steel for the main components. Fusion bonded ceramic on wetted parts and special metal construction for specific applications upon request.
5. **VARIETY OF OPERATING SPEEDS**  
Pumps can operate at 50Hz or 60Hz; speed ranges available are 960, 1450, 2900 and 3450 rpm or any other intermediate speeds (please refer to individual pump curves).



Vertical



Double Staged